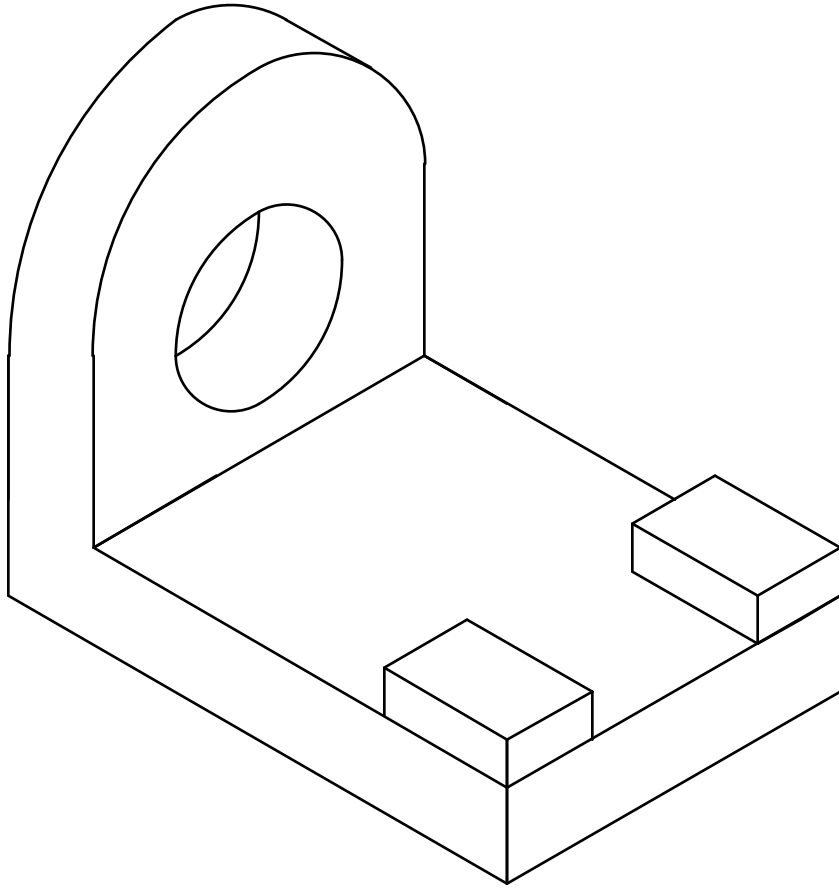
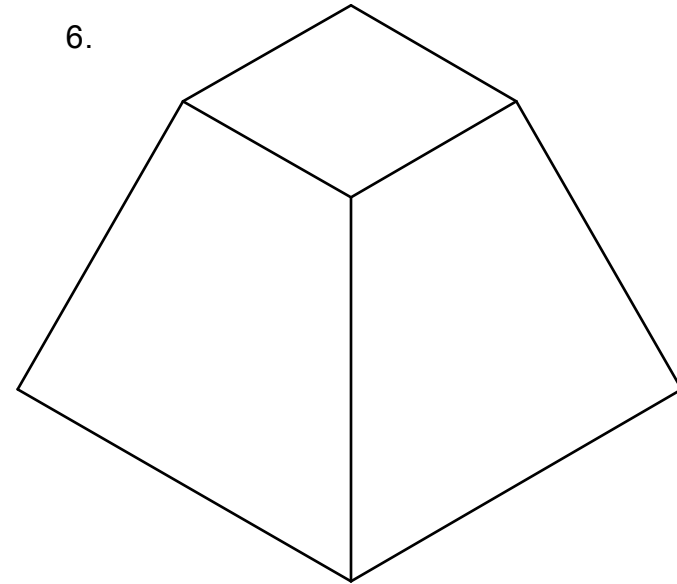


8.



6.



STEVENSON HIGH SCHOOL
TECHNOLOGY EDUCATION DEPARTMENT
TECHNICAL DRAWING PROGRAM

DRN BY: Julie Clemens

DATE: 11/9/11

SCALE: 1:1

Practice Isometric #8
and #6

1

1